

Dual-spectrum PT Network Camera

IRS-PT264-T



Product Feature

1. Clearer imaging with the latest generation of InfiRay® 12micron uncooled infrared detector and leading infrared image algorithm.
2. Visual and thermal dual-spectrum imaging, meet the needs of 24/7 safety surveillance.
3. Support intelligent behavior analysis, such as dual-spectrum crossing line detection and region intrusion detection.
4. Support professional temperature measurement analysis tools and intelligent fire detection algorithm.
5. 4.5KG lightweight, high speed, high precision PT with encapsulation rating IP66.

6. Support high speed Gigabit network communication, single IP & double channel scheme.

7. Provide NVR and client software VMS, support standard interface protocols such as ONVIF, GB28181 and SDK for secondary development.

Camera Performance Parameters

Camera Model	
IRS-PT264-T	
Thermal Parameters	
Detector Type	VOx Uncooled FPA detector
Spectral Range	8 ~ 14 μ m
NETD	$\leq 40\text{mK}$ @25 $^{\circ}\text{C}$, F#1.0
Max. Resolution	640 \times 512
Pixel	12 μ m
Focal Length	9.1mm, 13mm, 19mm, 25mm, 35mm
Focusing Type	Athermal fixed focus (13mm, 25mm lens can be optional for auto-focus electric lens)
FOV	48 $^{\circ}\times$ 38 $^{\circ}$, 33 $^{\circ}\times$ 26 $^{\circ}$, 22 $^{\circ}\times$ 18 $^{\circ}$, 17 $^{\circ}\times$ 14 $^{\circ}$, 12.5 $^{\circ}\times$ 10.0 $^{\circ}$
F#	F1.0
IFOV	1.31mrad, 0.92mrad, 0.63mrad, 0.48mrad, 0.34mrad
Palette	20 palettes selectable such as Blackhot/Whitehot/Rainbow, etc.
Optical Parameters	
Sensor	1/1.8inch 4MP CMOS sensor
Max. Resolution	2688 \times 1520
Focal Length	6.4mm ~ 128mm 20x optical zoom
Focusing Type	Auto / Manual / One-shot auto
FOV	Horizontal: 59.6 $^{\circ}$ ~ 3.5 $^{\circ}$
Min. Illumination	Color: 0.05Lux@ (F1.6, AGC ON) B/W: 0.01Lux@ (F1.6, AGC ON)
WDR	Support, 120dB
Day/Night	ICR auto switch/electronic color to black, switch by light intensity/time setting/manual switch
DNR	3D NR
PT Parameters	
Pan Range	Pan: 360 $^{\circ}$ continuous rotate
Pan Speed	Configurable: 0.1 $^{\circ}$ ~ 100 $^{\circ}$ /s

Tilt Range	Tilt:-90° ~ +90°
Tilt Speed	Configurable:0.1° ~ 60°/s
Preset Accuracy	±0.1°
Presets	256
Patrol Scan	8, up to 255 presets per patrol
Scanning Mode	Presets, Tour, Scan Patrol, Auto Scan, Pattern, Auto Pan
3D Positioning	Support
Power Off Memory	Support
Speed Setup	Speed adaptation to focal length
Position Setup	Support, configurable in horizontal /vertical
Privacy Mask	Support
Park	Presets, Tour, Scan Patrol, Auto Scan, Pattern, Auto Pan
Scheduled Task	Presets, Tour, Scan Patrol, Auto Scan, Pattern, Auto Pan
Anti-burn	Support
Remote Power-off Reboot	Support
Network Functions	
Protocols	IPv4/v6,HTTP,HTTPS,802.1x,QoS,FTP,SMTP,UPnP,SNMP,DNS,DDNS,NTP,RTSP,RTCP,RTP,TCP,UDP,IGMP,ICMP,DHCP
Interoperability	ONVIF,GB28181,CGI
Simultaneous Live View	Up to 20 channels
User Management	Up to 20 users,3 levels: administrator, operator and user
Browser	IE browser and multiple languages (Chinese and English)
Video Parameters	
Max. Resolution	2688×1520(visible), 1280×1024(thermal)
Image Encoding Format	JPEG
Audio Compression	G.711A/G.711Mu/PCM/AAC/MPEG2-Layer2
Video Compression	H.264/H.265/MJPEG
Main Stream	Visible: 50Hz:25fps(2688×1520,1920×1080,1280×720); 60Hz:30fps(2688×1520,1920×1080,1280×720); Thermal: 50Hz:25fps(1280×1024,1024×720);

	60Hz:30fps(1280×1024,1024×720);
Sub Stream	Visible: 50Hz:25fps(1920×1080, 1280×720, 704×576, 352×288); 60Hz:30fps(1920×1080, 1280×720,704×480, 352×240); Thermal: 50Hz:25fps(1280×1024,1280×720, 704×576, 640×512); 60Hz:30fps(1280×1024,1280×720,704×480, 640×512);
Temperature Measuring Functions	
Measuring Range	-20°C ~ +150°C,0°C ~ 550°C
Measuring Accuracy	±2°C or ±2% (the greater value shall prevail)
Temperature Measurement Analysis	Temperature measurement rules and alarm linkage such as full frame, point (12), line (12), region (12), temperature contrast
Smart Functions	
Fire Detection	Support dynamic fire detection
Cold Spot& Hot Spot Trace	Support
Smart Record	Support the function of resumable transmission after disconnection to ensure that the video is not lost.
Smart Alarm	Support alarm trigger of network disconnection, IP address conflict, memory error, illegal access and abnormal audio and high-lights pre-alarm
Smart Detecting	Intelligent video analysis functions such as regional intrusion, cross-border intrusion, item leftover, item moving, and personnel wandering
Alarm Linkage	Recording/Capture/Sending mail/PTZ linkage/Alarm output
System Interface	
Power Supply	DC 24V
Communication Interface	RJ45 self-adaptive 10M/100M Ethernet port
Audio Input	1channel
Audio Output	1channel
Alarm Input	2 channels
Alarm Output	2 channels
Storage Interface	Support Micro SD card(Max.256G)
RS485	1channel, and support Pelco protocol
General Parameters	
Work Temperature/Humidity	-40°C ~ +70°C; <90%RH
Protection Level	IP66,TVS 6000V lightning protection, surge protection; Conform to GB/T17626.5 Grade-4 Standard;

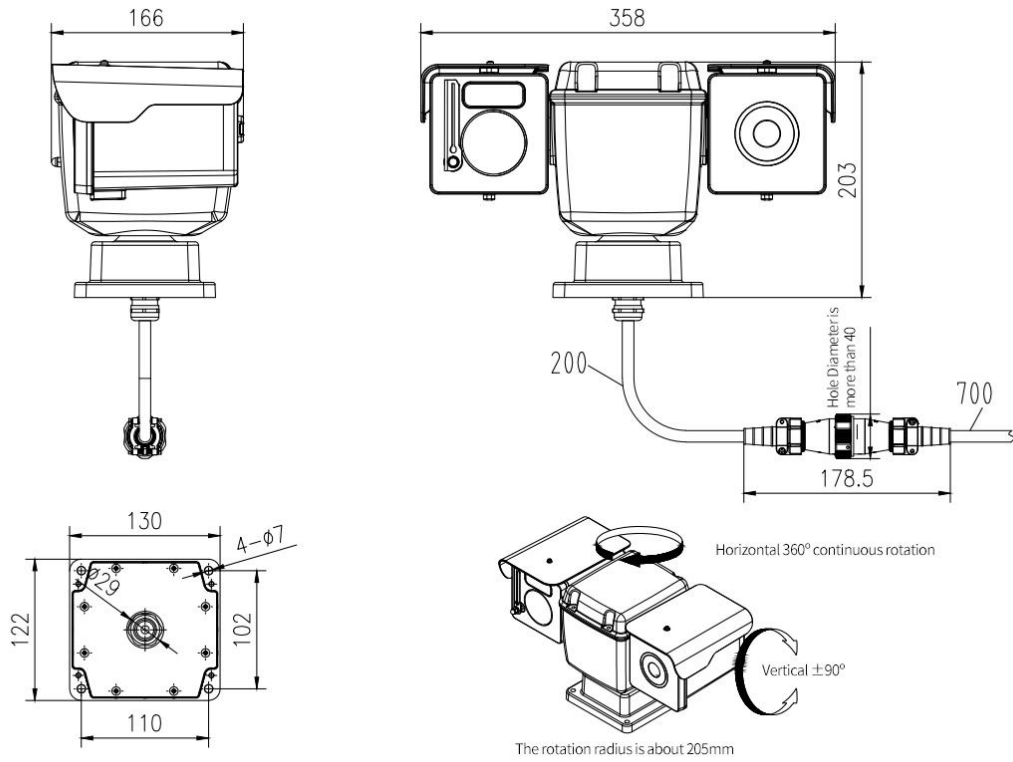
Power Consumption	7W when PT is static, maximum consumption is less than 30W
Dimension(mm)	358×166×203mm (L×W×H)
Weight	4.5KGS

Operating Distance

The recommended distance of detecting, recognizing and identifying for vehicle (1.4 × 4.0m) and man (1.8 × 0.5m) are as follows:

Equipped Lens	DD (vehicle)	DD (man)	ID (vehicle)	ID (man)	RD (vehicle)	RD (man)
9.1mm	1163m	379m	291m	95m	145m	47m
13mm	1661m	542m	415m	135m	208m	68m
19mm	2428m	792m	607m	198m	303m	99m
25mm	3194m	1042m	799m	260m	399m	130m
35mm	4472m	1458m	1118m	365m	559m	182m

Structure and Dimensions



©IRay Technology Co., Ltd. 2023. All right reserved worldwide.

This datasheet is subject to change without prior notice. Please contact us to get the latest datasheet.